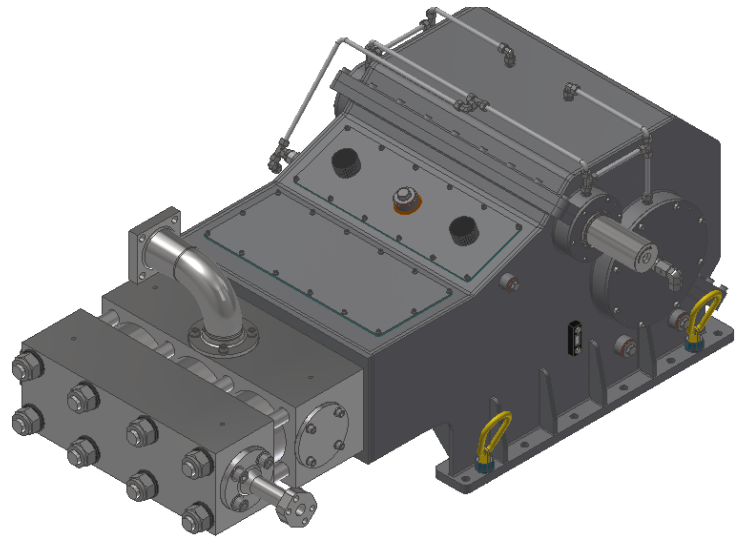


Schäfer PH High-pressure Pump FR 800-140

The high pressure pump type Fr 800-140 is a new development of the triplex plunger pumps in horizontal design for underground fracking applications.

It is a triplex pump with 3 crankpins offset by 120° each, driven by an internal pinion shaft. It is designed for continuous operation under full load.

Delivery pressure and volume depend on the size of the plunger in use.



Technical performance data FR800-140

Bare force (kN)	345	Speed n1 (min ⁻¹)	1500	Average piston speed (m/s)	1,35
Stroke (mm)	140	Speedn2 (min ⁻¹)	325	Oil filling quantity (l)	90
Piston quantity	3	Transmission ratio i	4,29	Engine power (kW)	790
PistonØ (mm)	63	63			
Pressure (bar)	1100	890			
Volume (l/min) % volumetric efficiency	400	520			

Main dimensions

