

# Schäfer Slurry-Pump SPL 106

(Heavy Duty / for continuous operation)

The slurry pump Schäfer SPL is a compact triplex-plunger pump for abrasive and highly viscous fluids operating at pressures of up to 500 bar and maximum pumping rates of 88.4 m<sup>3</sup>/h.

**Field of application:**

- Conveyance of highly abrasive and highly viscous fluids and high solid fraction fluids
- Conveyance of highly viscous and pasty fluids
- Process technology

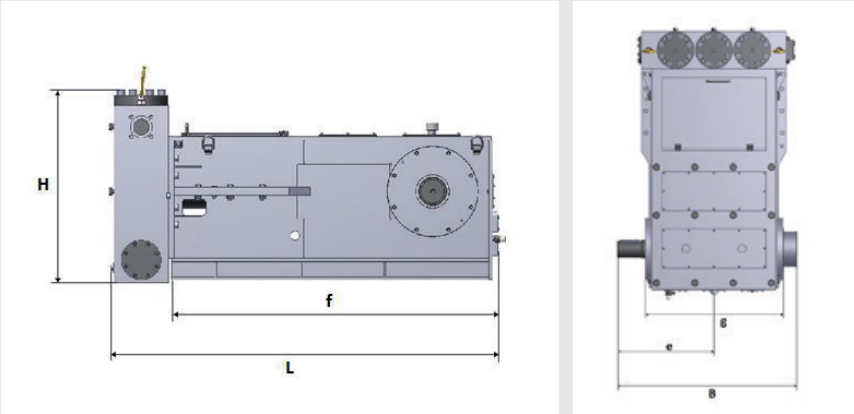
**Special requirements:**

- API 674
- ATEX Zone 2, T3
- EN ISO 13710

**Components / Service:**

- Complete pump unit or individual pump
- Upgradeable with Monitoring system (SUMO)
- Commissioning and continuous maintenance world wide
- Spare part service

**DIMENSIONS:**



SPL 106	Dimension in mm
Total Length L	2460
Length f only power end	2072
Total Heigh H	1431
Total Width B	1632
Width g excluding journal	1300
Width e from center line	984

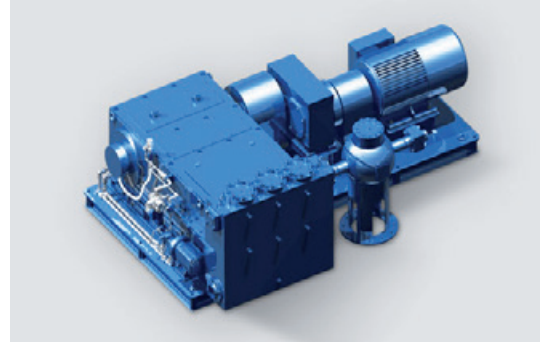
**EXAMPLES FOR PUMP UNITS:**



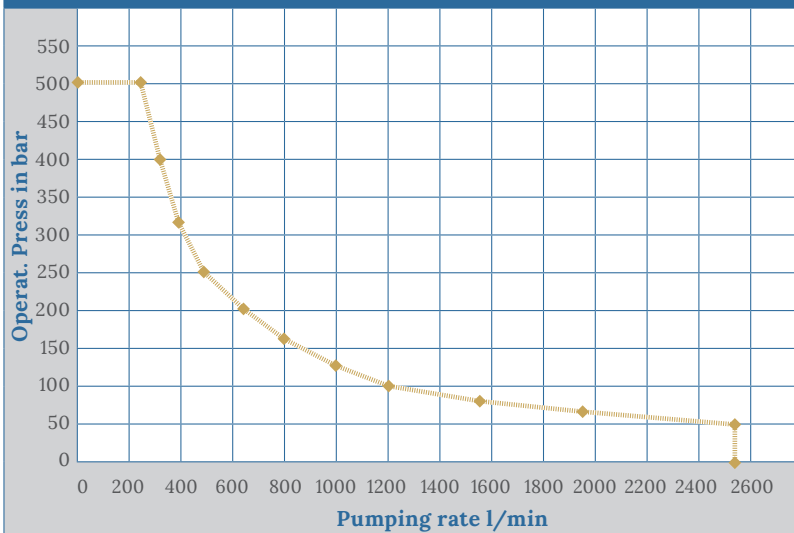
# Schäfer Slurry-Pump SPL 106

(Heavy Duty / for continuous operation)

Piston-Ø	Inch											
	mm	160	140	125	110	100	90	80	70	63	56	50
Operat. press	bar	50	63	80	100	125	160	200	250	315	400	500
Revolutions		Pumping rate l/min										
234 min <sup>-1</sup>		2540	1945	1550	1200	992	804	635	486	394	311	248



Performance Curve SPL 106



Performance data

Weight	approx. 8,500 kg
Pumping rate	up to 1,474 l/min
Drive power	up to 500 kW
Fluids	residual oil, detergent slurry
Fluid temperature	up to 300 °C
Piston force max.	91,200 N
Stroke	140 mm
Average piston speed	286 min <sup>-1</sup> : 1.33 m/Sec.

WATER HYDRAULIC HIGH PRESSURE TECHNOLOGY INDUSTRIAL PUMPS

**Schäfer**  
PUMPEN & HYDRAULIK GMBH

Schäfer Pumpen & Hydraulik GmbH - info@schaefer-ph.com  
Kaiserswerther Straße 74 www.schaefer-ph.com  
40878 Ratingen Phone +49 21 02 45 07 - 0