

Schäfer Slurry-Pump SPL 80

(Heavy Duty / for continuous operation)

The slurry pump Schäfer SPL is a compact triplex-plunger pump for abrasive and highly viscous fluids operating at pressures of up to 500 bar and maximum pumping rates of 114.4 m³/h.

Field of application:

- Conveyance of highly abrasive and highly viscous fluids and high solid fraction fluids
- Conveyance of highly viscous and pasty fluids
- Process technology

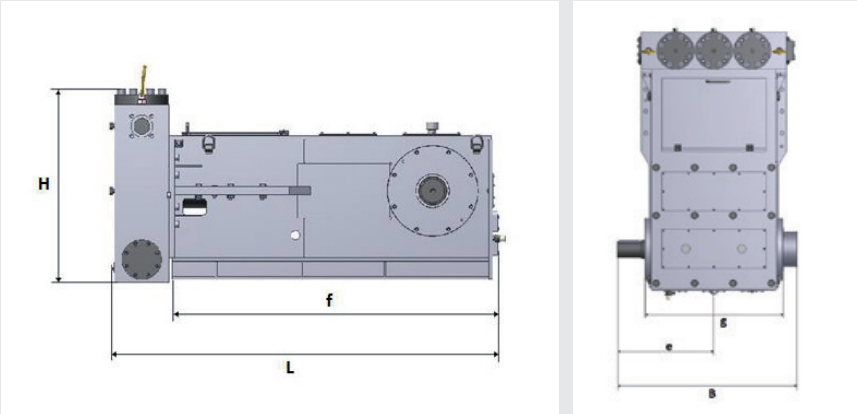
Special requirements:

- API 674
- ATEX Zone 2, T3
- EN ISO 13710

Components / Service:

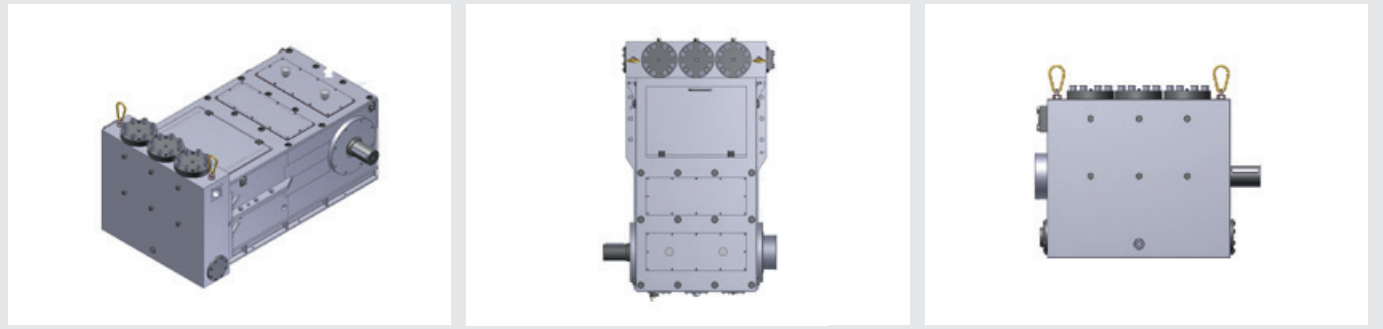
- Complete pump unit or individual pump
- Upgradeable with Monitoring system (SUMO)
- Commissioning and continuous maintenance world wide
- Spare part service

Dimensions:



SPL 80	Dimension in mm
Total Length L	2044
Length f only power end	1722
Total Heigh H	1189
Total Width B	1356
Width g excluding journal	1080
Width e from center line	817

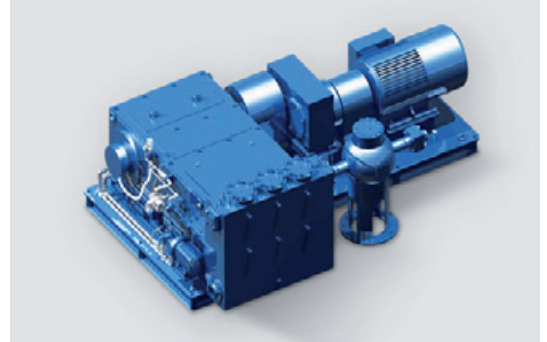
Examples for pump units:



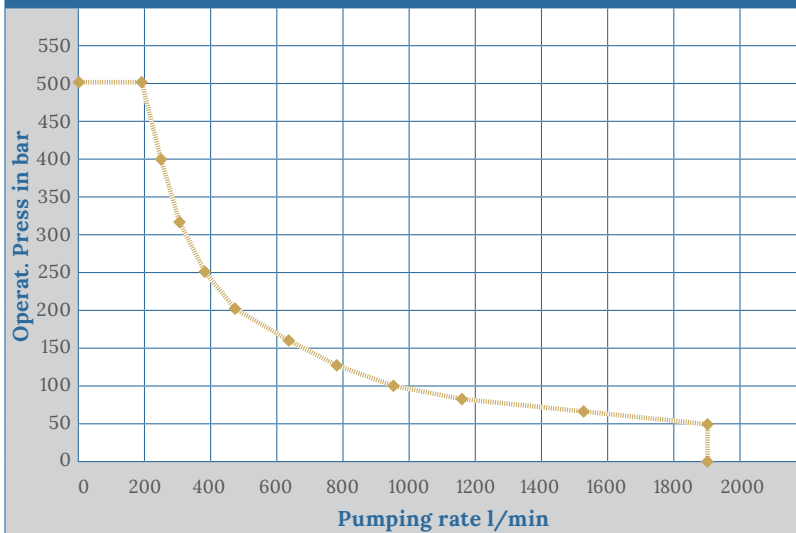
Schäfer Slurry-Pump SPL 80

(Heavy Duty / for continuous operation)

Piston-Ø	Inch											
	mm	140	125	110	100	90	80	70	63	56	50	45
Operat. press	bar	50	63	80	100	125	160	200	250	315	400	500
Revolutions		Pumping rate l/min										
258 min ⁻¹		1906	1520	1177	973	788	622	476	386	305	243	197



Performance Curve SPL 80



Performance data

Weight	approx. 7,000 kg
Pumping rate	up to 1,906 l/min
Drive power	up to 500 kW
Fluids	residual oil, detergent slurry
Fluid temperature	up to 300 °C
Piston force max.	128,000 N
Stroke	160 mm
Average piston speed	258 min ⁻¹ : 1,38 m/Sec.

WATER HYDRAULIC HIGH PRESSURE TECHNOLOGY INDUSTRIAL PUMPS

Schäfer
PUMPEN & HYDRAULIK GMBH

Schäfer Pumpen & Hydraulik GmbH - info@schaefer-ph.com
Kaiserswerther Straße 74 www.schaefer-ph.com
40878 Ratingen Phone +49 21 02 45 07 - 0